

Installation Guide

BLKMB0 Fixed Panel Bath Screen

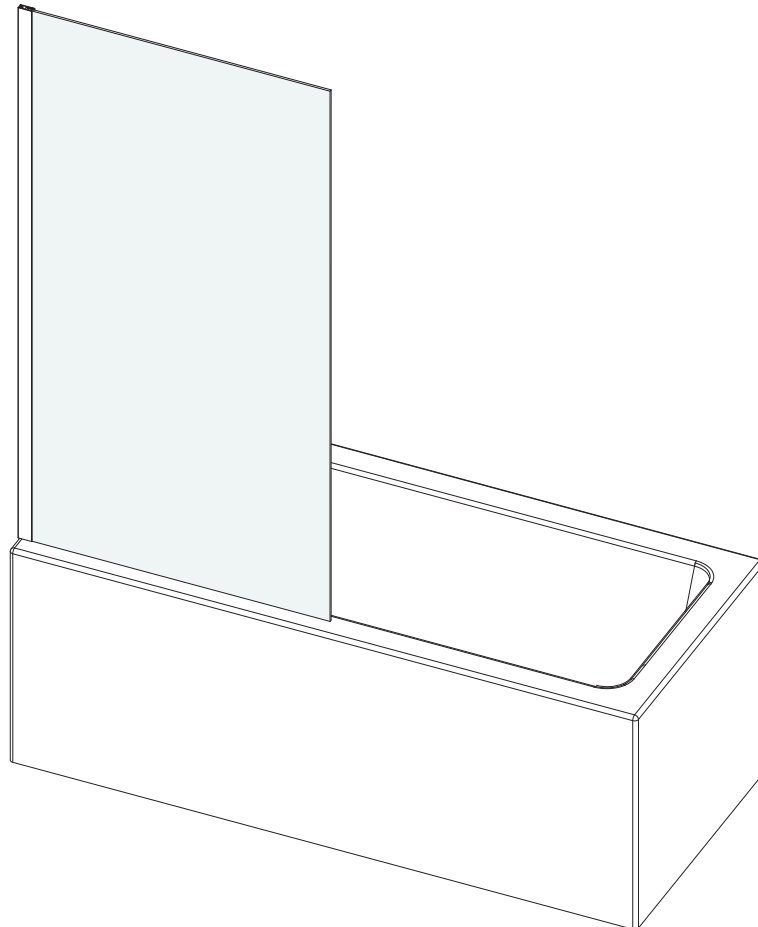
IMPORTANT
Please read the complete instructions
before commencing fitting.

Do Not attempt to install the product unless you can tick all 4 boxes satisfactorily

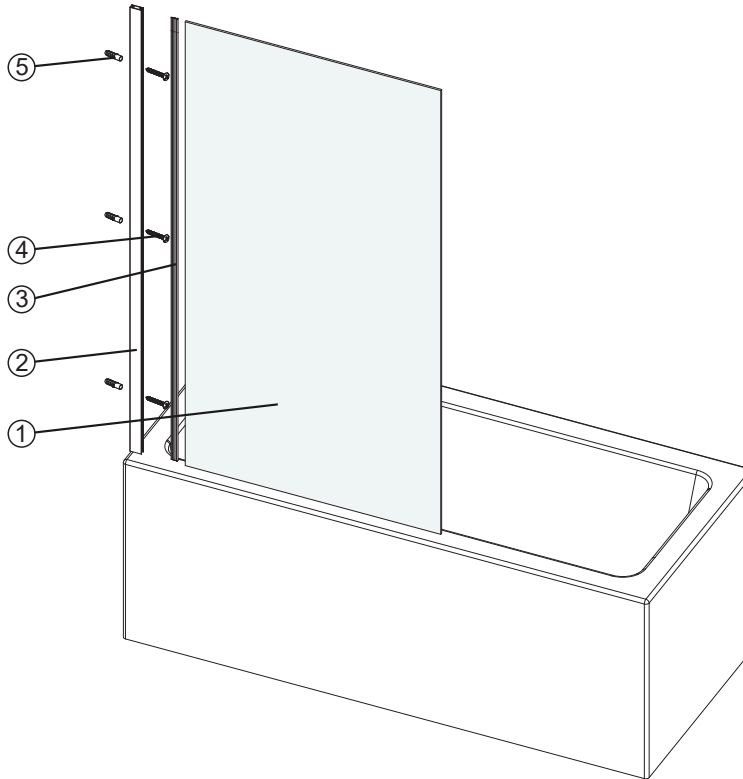
- Check that you have the tools required
- Check the installation site is compatible with the sizes of door supplied
- Check all the enclosure components are present
- Check the installation kit is complete

The wall plugs supplied with the installation kit are for use in solid walls. Hollow or 'stud partition' walls will require alternative fixings. Please consult a hardware supplier for the correct type. It may also be necessary to consult your tiling supplier about the correct method for drilling your tiles

**ATTENTION: TAKE EXTREME CARE WHEN HANDLING GLASS.
WEAR PROTECTIVE EYEWEAR AND CLOTHING.
DO NOT LEAVE THE GLASS ON HARD SURFACES AND AVOID
CONTACT BETWEEN THE GLASS EDGES AND HARD SURFACES OR
IMPACTS DURING THE INSTALLATION**

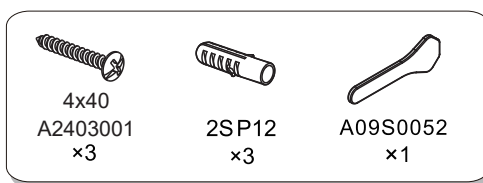


COMPONENTS AND BOX CONTENTS



No.	Description	Qty	Part No.	No.	Description	Qty	Part No.
1	Fixed Panel	1	A	4	Screw(4x40mm)	3	A2403001
2	Wall Profile	1	SP0MOBY019 B	5	Wall Plug	3	2SP12
3	Clear Seal	1	SP0MOBY020 B				

Fixing Kit components



Tools required

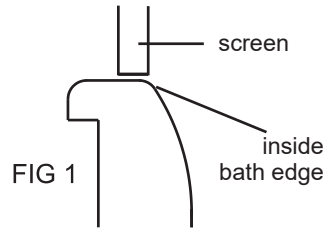
- 6mm Masonry drill bit
- Power drill
- Quality silicone
- Pencil
- Tape measure
- PH2 Philips Head screw driver
- Spirit level with horizontal and vertical level indicators

IMPORTANT - Installation Site

1. Ensure your bath is level before fitting. This screen is not designed to fit on baths with stepped fronts, roll top rims or integral soap dishes.
2. The tiling or other wall finishing should be effectively sealed at the bath edges.

INSTALLATION

1. Position the wall profile SP0MOBY019B so the fixed panel A sits on the inside edge of the bath. Fig 1



2. INSTALLATION

Plumb the wall profiles SP0MOBY019B using the vertical element of the spirit level. Mark 3 holes, drill with 6mm masonry bit and fit wall plugs 2SP12. Using the 3 Screw A2403001, fix wall profile to wall. Fig 2.

3. Insert glass panel into the wall profile. Note: Max. adjustment of the glass panel in the wall profile is 15mm. Fig 3

4. Insert wedge gasket to the inside of the wall profile using SP0MOBY020B. Start at the bottom pushing the seal in fully. Fig 4

FIG 2

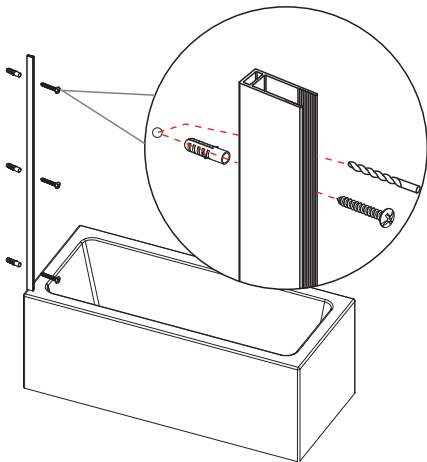


FIG 3

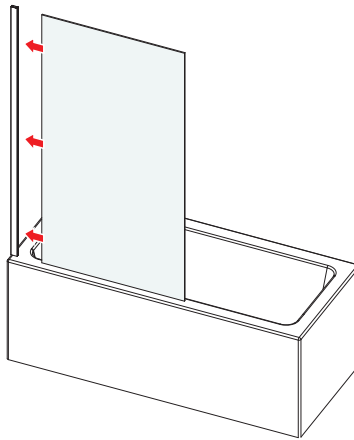
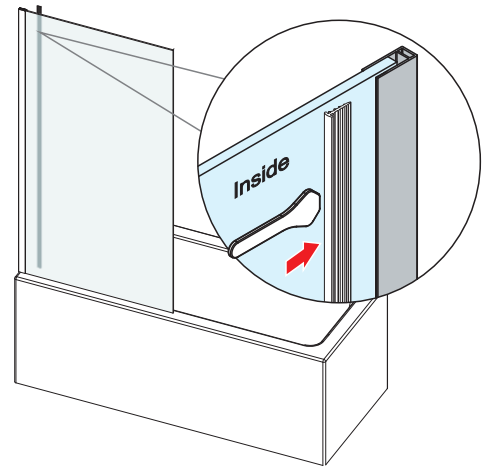


FIG 4



5. **Inside**

Seal between the wall and the wall profile.

Outside

Seal between the wall and the wall profile.

From the base of the frame seal approx. 50mm between the joint of the wall profile and the frame.

Seal the joint between the bath edge and the frame starting from the wall and finishing just before the bottom seal.

